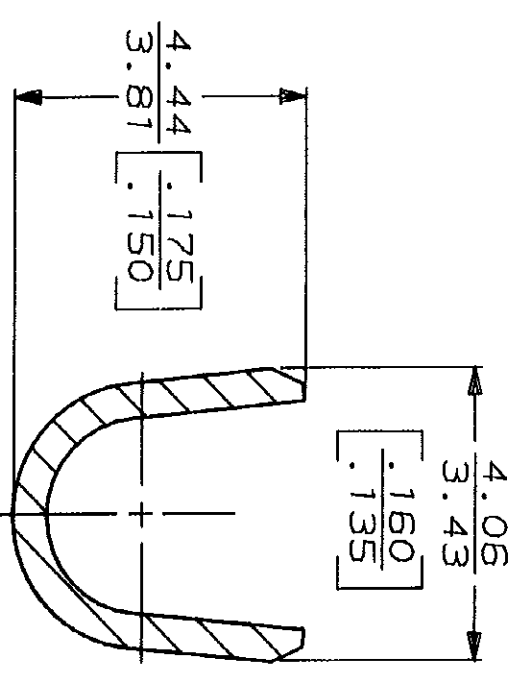
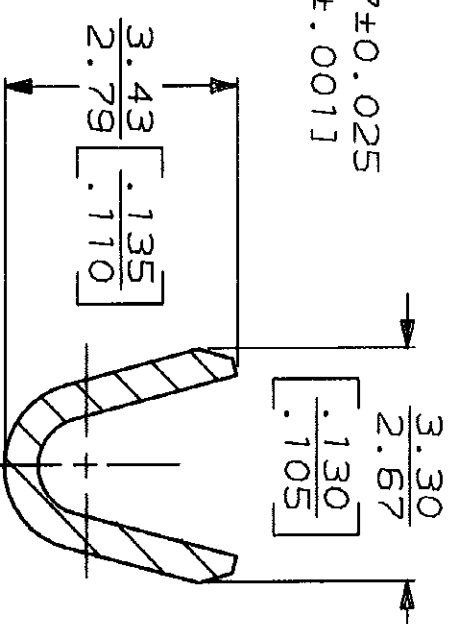
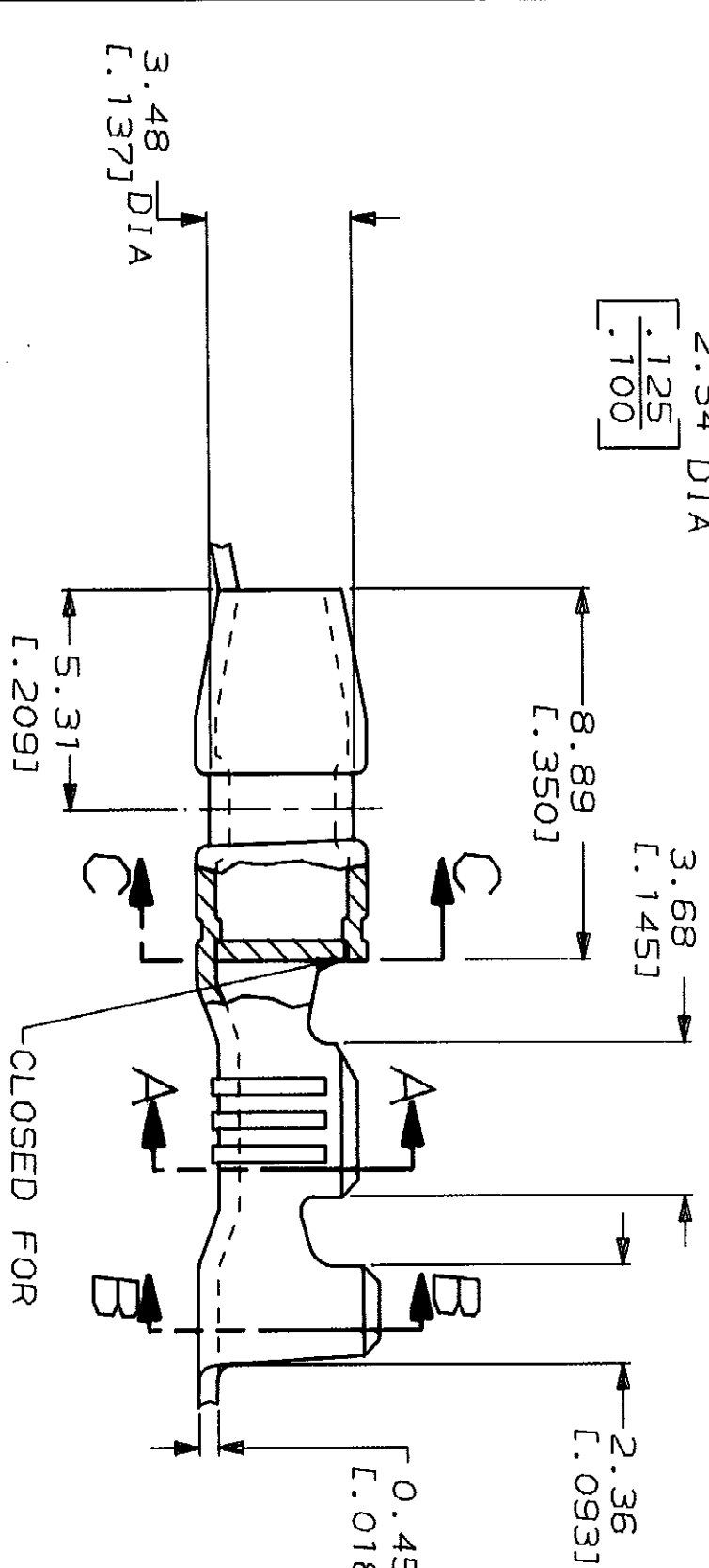
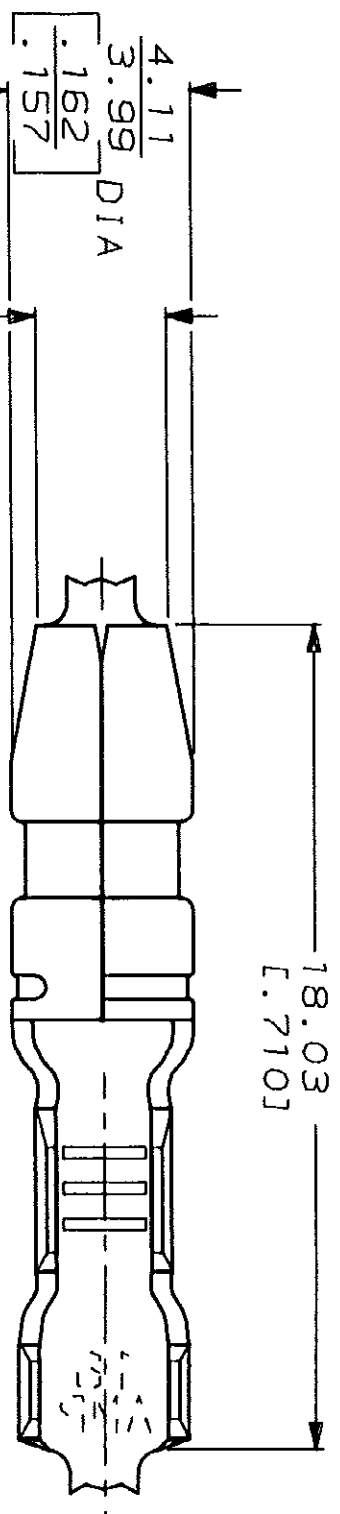


THIS DRAWING IS UNPUBLISHED. RELEASED FOR PUBLICATION BY AMP INCORPORATED. ALL INTERNATIONAL RIGHTS RESERVED. © COPYRIGHT 19

| LOC | DIST | F | ZONE | LTR | DESCRIPTION | DATE | APPD |
|-----|------|---|------|-----|---------------------|---------|-------|
| AF | 50 | | | H | REDRAWN PER AF-6810 | 7/26/90 | PF/JR |

| REVISONS | DESCRIPTION | DATE | APPD |
|----------|-------------|------|------|
| | | | |



1 CONTINUOUS STRIP ON REELS

CLOSED FOR MOLDING PURPOSES

METRIC

| TYPE | WIDTH | STRIP LENGTH | TYPE | WIDTH | HEIGHT | WIRE |
|--------------------|----------------|----------------|-------------------|----------------|---|--|
| F or 0 | 3.56 [.140] | 5.33 [.210] | F | 2.29 [.090] | 1.68 [.065] 1.50 [.059] 1.42 [.056] | 1.3mm ² [.16] 0.8mm ² [.18] 0.5mm ² [.20] |
| INSUL BARREL CRIMP | | | WIRE BARREL CRIMP | | | |

| | | | |
|--|--|----------------------------|---------------------------|
| DO NOT SCALE PRINT. UNLESS SPECIFIED DIMENSIONS IN MILLIMETERS (INCHES) TOLERANCES ON: | DR 7/26/90 P FORNEY | AMP | AMP Incorporated |
| 1 PLC DEC ± 0.25 (.010) | CHK 7/26/90 JR RUTH | NAME | Harrisburg, PA 17105-3608 |
| 2 PLC DEC ± 0.25 (.010) | APPD 7/26/90 G VETTER | SHUR PLUG, 3.96 [.156] DIA | |
| 3 PLC DEC ± 0.25 (.010) | APPD 7/26/90 R KUDO | SIZE | |
| MATERIAL #1 HARD BRASS | PRODUCT SPEC | CAGE CODE | 00779 |
| FINISH 0.003302 [.000130] MAX PRE-TIN PL PER MIL-T-10727 | APPLICATION SPEC | DRAWING NO | 61388 |
| INSULATION RANGE 2.41-2.92 DIA [.095-.115] | WIRE RANGE 0.5mm ² -1.3mm ² [.20-16] AWG | SCALE | 6:1 |
| | PART NO 61388-1 | SHEET | 1 OF 1 |

CUSTOMER DRAWING